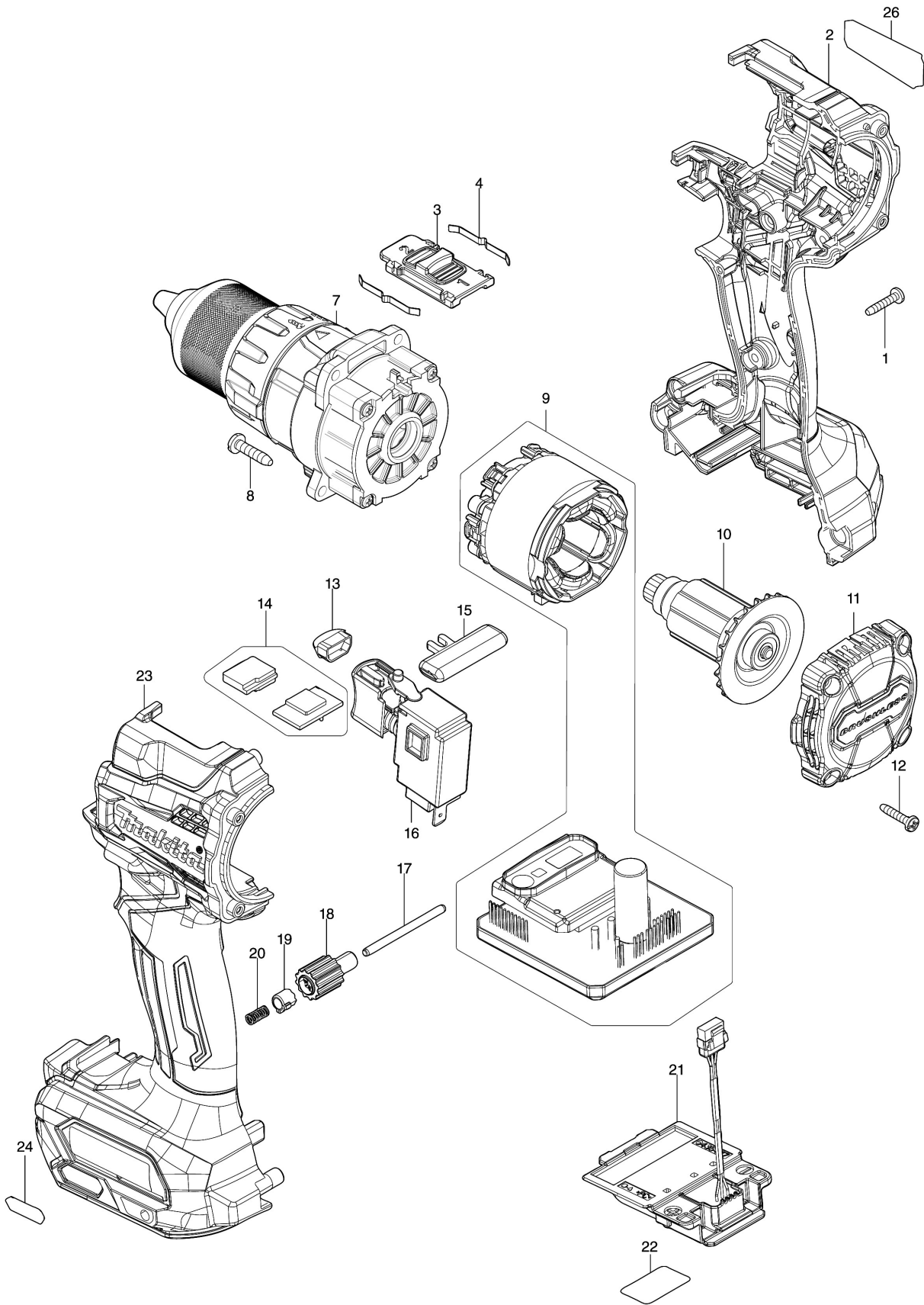


Model No.DF001G CORDLESS DRIVER DRILL



Model No.DF001G CORDLESS DRIVER DRILL

Položka	Objednávacie číslo	Popis	Zmena	ks
001	266130-9	TAPPING SCREW BIND PT 3X16		7
002	183N73-3	HOUSING SET		1
C10	263005-3	RUBBER PIN 6		2
C20	252126-6	HEX. LOCK NUT M4-7		2
C30	422569-8	SPONGE SHEET		2
D10		INC. 23		
003	127494-5	SPEED CHANGE LEVER ASSEMBLY		1
C10	233438-6	COMPRESSION SPRING 4		2
004	232220-0	LEAF SPRING		2
007	136232-4	KEYLESS DRILL CHUCK ASS'Y		1
008	266326-2	TAPPING SCREW 4X18		4
009	629476-8	STATOR COMPLETE		1
C10	8009H0-8	SWITCH LABEL		1
010	619613-2	ROTOR		1
011	412361-0	REAR COVER		1
012	266130-9	TAPPING SCREW BIND PT 3X16		4
013	620549-0	LED CIRCUIT		1
014	620C81-2	SENSOR CIRCUIT		1
015	419041-9	F/R CHANGE LEVER		1
016	651443-5	SWITCH C3JR-4B		1
017	256949-4	ROD 3		1
018	140R76-4	DIAL COMPLETE		1
019	313288-6	DIAL CAM		1
020	232597-3	COMPRESSION SPRING 3		1
021	632P49-4	TERMINAL UNIT		1
022	856T20-0	DF001G SERIAL NO. LABEL		1
023	183N73-3	HOUSING SET		1
C10	263005-3	RUBBER PIN 6		2
C20	252126-6	HEX. LOCK NUT M4-7		2
C30	422569-8	SPONGE SHEET		2
D10		INC. 2		
024	8007R2-2	XGT LOGO LABEL		1
026	856T13-7	DF001G NAME PLATE		1
A01	127552-7	GRIP ASSEMBLY		1
C10	140S65-5	ARM R COMPLETE		1
C20	140S66-3	POLE COMPLETE		1
C30	266886-4	HEX. BOLT M8X65		1
C40	319966-6	ARM L		1
C50	962055-2	RETAINING RING (INT) R-15		1
A02	251314-2	+ SCREW M4X12		2
A03	346317-0	HOOK		1
A04	784637-8	+/- BIT 2-45		2
A05	452947-8	BIT HOLDER		1
A06B	412393-7	BATTERY COVER		1

Model No.DF001G CORDLESS DRIVER DRILL

Položka	Objednávacie číslo	Popis	Zmena	ks
A06C	412393-7	BATTERY COVER		1
A07B	***DC40RA	DC40RA FAST CHARGER		1
D10		COMPO-PARTS		
A07C	***DC40RA	DC40RA FAST CHARGER		1
D10		COMPO-PARTS		
A08B	191B26-6	BATTERY BL4040 SET		2
A08C	191B36-3	BATTERY BL4025 SET		2
A09B	821551-8	CONNECTOR PLASTIC CASE (TYPE3)		1
C10	453974-8	LATCH		4
A09C	821551-8	CONNECTOR PLASTIC CASE (TYPE3)		1
C10	453974-8	LATCH		4
A10B	835F93-2	INNER TRAY		1
A10C	835F93-2	INNER TRAY		1
A11B	8010L8-9	DF001GM201 INDICATION LABEL		1
A11C	8010K6-6	DF001GD201 INDICATION LABEL		1
A12B	8010L9-7	DF001GM201 PLASTIC CASE LABEL		2
A12C	8010K7-4	DF001GD201 PLASTIC CASE LABEL		2